



SOMOS® Mobile Resin Dryer RDM-140/400

Application

The SOMOS® RDM is used to dry hygroscopic plastic pellets. As an auxiliary unit to supply processing machines in the throughput range from 5 to 150 kg/h, it is particularly useful when preparing frequently changing types of pellet – thanks to its easy mobility and high degree of flexibility.

Features

- Mobile, consisting of a dry-air generator and a high quality drying bin made of stainless steel
- Single chamber adsorption dryer for bidirectional operation
- SOMOS® control/smart controller with a 6" touchscreen for intuitive operation
- Automatic control of regeneration frequency
- Adaptive energy consumption
- Material database for up to 200 formulations
- Optical and acoustic alarm signal
- Opening making it quick and easy to clean
- Integrated sight glass
- Industrie-4.0-capable

Options

- Dew point sensor
- Remote servicing module
- High temperature version (can be retrofitted)
- Hopper loader to feed the drying hopper
- Pre-cooler (operate at < 60 °C)

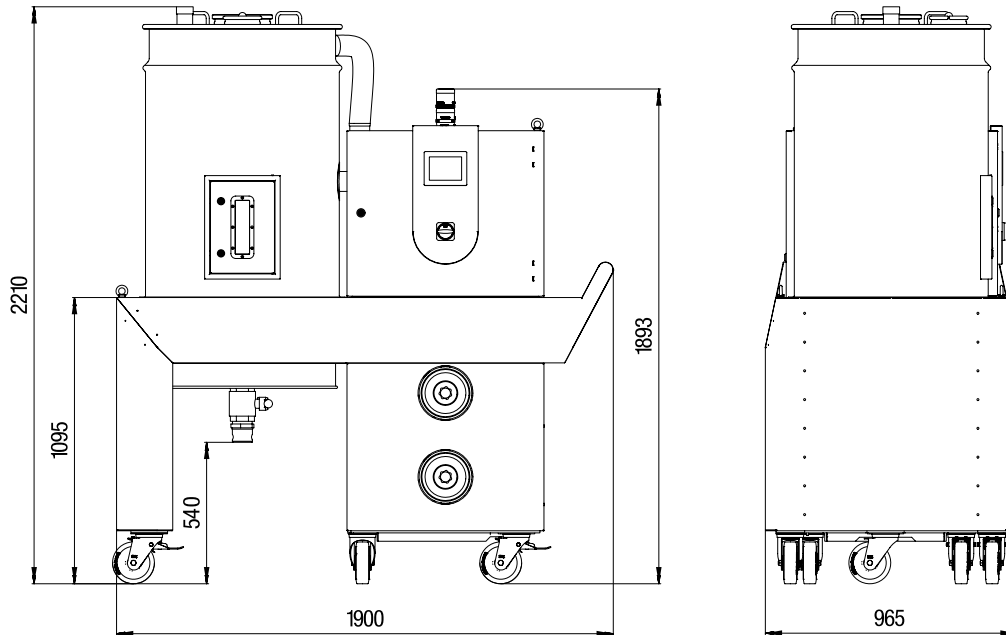
SOMOS®

MOBILE RESIN DRYER

RDM-140/400

ProTec Polymer Processing

Technical Data



Dry air volume	m ³ /h	140
Dry air temperature		
Standard	°C	60 – 140
High-temperature version (HT)	°C	60 – 180
Low-temperature version (LT)	°C	≤ 60
Dew point	°C	up to -40
Material drying hopper		Stainless steel
HT-version		Stainless steel
Net volume	l	400
Maximum power input		
Blower	kW	2.2
Heater	kW	13.00

Power supply		3N/PE/AC/50Hz/400V/32A
Cooling water (HT-/LT-version)		
Pressure	bar	2 – 6
Temperature	°C	≤ 15
Requirement	m ³ /h	0.6 – 0.7
Finishing/color	RAL	5018 and 7016
Weight	kg	380
HT-version	kg	400

Are you interested in receiving additional information?
Then feel free to call us.

ProTec Polymer Processing GmbH
Stubenwald-Allee 9
64625 Bensheim
Germany

T +49 6251 77061-0
F +49 6251 77061-500
info@sp-protec.com
www.sp-protec.com