



SOMOS® CONRADT

Application

The new SOMOS® CONRADT conveyor is smaller and lighter than previous units. Modular in structure, it consists of few components which are very quick to assemble. Working by the Venturi principle, it was specifically developed for conveying masterbatches and free-flowing pellets. Ideally suited to dosing and weighing applications.

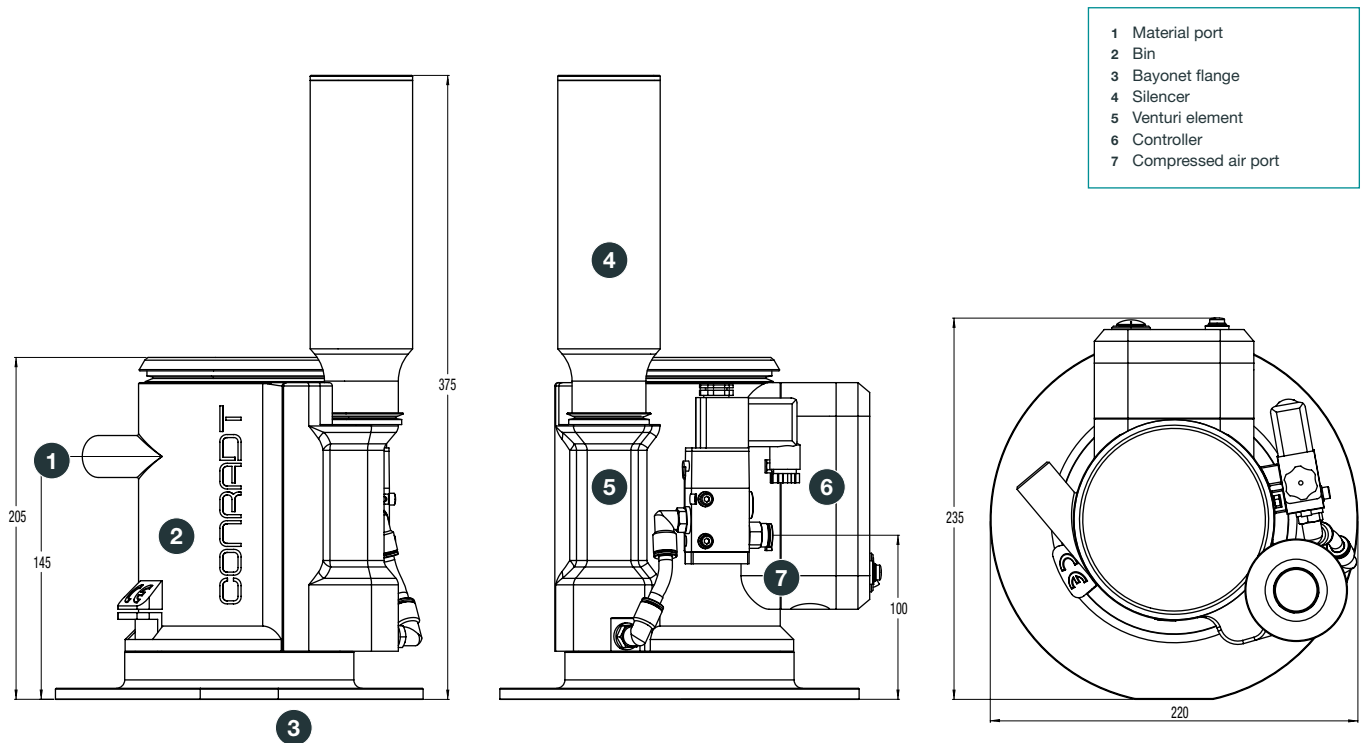
Features

- **Simple control**
The integrated controller allows conveying time and fault tolerance to be set: the number of incorrect charges until the unit trips an alarm is selectable, so ensuring reliable operation.
- **Optimized process control and monitoring**
The newly designed controller ensures reliable process control. Process status is clearly indicated by the LED ring display.
- **Durable and robust**
The updated design means simple installation (adapter flange with bayonet closure) and commissioning.
- **Impressive product range**
Compact in size with a 1 liter bin, it can provide material throughputs of up to 25 kg/h over a vertical distance of 3 m while its light weight of 1.2 kg makes it easy to handle.
- **Accessories**
Included accessories: conveying hose (3 m) made of polymer, stainless steel suction lance, silencer, adapter flange with clamping ring and air filter, power supply cable with adapter.

Biodegradable

SOMOS® CONRADT is made from biodegradable polymer.

Technical Data



Material throughput at a delivery head of 3 m (vertical)	kg/h	25
Height incl. silencer	mm	375
Flange diameter	mm	220
Material conveying hose	mm	ø 25 x 3,000
Compressed air supply	bar	6–10
Compressed air consumption	l/kg	100
Ø Compressed air connection	mm	8

Power supply @ 50/60 Hz	VAC	100–240
Noise level at 2 m distance	dB	< 80
Maximum material temperature	°C	45
Weight	kg	1.2
Finishing/color	RAL	5018 and 9023

Are you interested in receiving additional information?
Then feel free to call us.

ProTec Polymer Processing GmbH
Stubenwald-Allee 9
64625 Bensheim
Germany

T +49 6251 77061-0
F +49 6251 77061-500
info@sp-protec.com
www.sp-protec.com